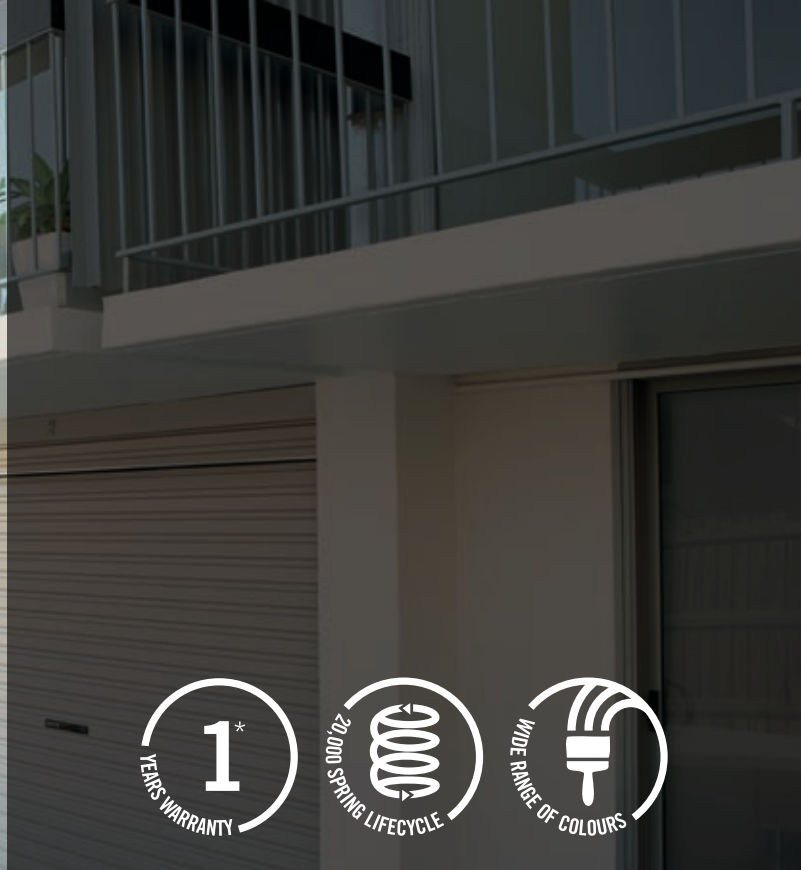


PREMIUM COLLECTION

AUSTRALIA'S PREMIUM STEEL
SLIDING GARAGE DOOR

Flex-A-Door[®]



The unique B&D Flex-A-Door[®] is the perfect alternative when you are looking to replace your existing tilt door, or in situations where you have restricted headroom in your garage or carport.

Flex-A-Door features the famous B&D Roll-A-Door[®] curtain, fitted on a curving track, so the curtain lifts from a vertical position up into a horizontal position, close to the ceiling - providing a clean, neat appearance on both the outside and inside.

ROLL-A-DOOR[®] CURTAIN

SUITS LOW HEADROOM

EASY TO LIFT

CLEAR, UNCLUTTERED LOOK

STRONG & DURABLE



Doors & Openers[®]

THERE'S SO MUCH MORE BEHIND A B&D DOOR

Call **13 62 63** or visit www.bnd.com.au for further information

*For full warranty conditions see back page.



Flex-A-Door®

AESTHETICS

The Flex-A-Door will enhance the appearance of your home with a quality finish and colour options including:

- An extensive range of colours to choose from, enough choices to suit any exterior.
- Roll-A-Door curtain for a clean, neat appearance.
- Stylishly designed centre lift lock.
- Hidden extension spring providing a tidy, uncluttered finish.
- Flex-A-Door fits behind the opening and does not protrude forward, like jamb or canopy type tilting doors. This means the door can be fitted to openings with unusual shapes, such as arches, etc.
- In situations where a Flex-A-Door and a Roll-A-Door may be installed next to each other, or in close proximity, the two doors match.

EASE OF OPERATION

Your Flex-A-Door will continue to be easy to open and close, with features such as:

- Limited headroom required above the walk-in height requirement, with a Roll-A-Door curtain, moving like a sectional door.
- Nylofelt® running strips for effortless sliding action.
- Door can be left open at any height, giving the added convenience of allowing the door to be partially opened for ventilation, while providing privacy when working in the garage.

For even more convenience add a B&D Controll-A-Door® automatic sectional garage door opener.

WEATHER PROTECTION

The garage today is used to store many different valuable objects, and in some cases is converted into another room, so weather protection is an important feature of any garage door. Flex-A-Door features:

- Colorbond steel, our preferred supplier, to stand up to the harsh Australian climate.*
- A weatherseal with deep cushioning helping restrict entry of water and leaves. On slightly uneven floors it reduces the gap for a better fit.
- A curtain that fits behind the opening and runs on a track, so Flex-A-Door won't blow shut in the wind like a tilt door can, and Flex-A-Door also restricts the wind from blowing through the entry way as can happen with tilt doors, which fit within the opening and therefore have a gap on each side.



Flex-A-Door can be left open at any height for ventilation



Uncluttered internal appearance

**As with all types of garage doors, for optimal trouble free performance and safety, we recommend you have your door serviced annually.*



THERE'S SO MUCH MORE BEHIND A DOOR



THANKS TO FLEX-A-DOOR'S
UNIQUE DESIGN.



WITH GARAGES BEING USED AS
EXTRA ROOMS. THE FLEX-A-DOOR
DESIGN ENSURES A CLEAR
UNCLUTTERED LOOK.



THANKS TO FLEX-A-DOOR'S
ENCLOSED SPRINGS, AND
NO MOVING BRACKETS OR
DOOR SUPPORTS.

SMOOTH QUIET OPERATION

Flex-A-Door garage doors will provide you with quiet, smooth, greaseless operation. Features include:

- Nylofelt® running strips and nylon rollers with bearings ensuring your door slides up and down with minimal effort.
- Plastic insert in the horizontal track providing smooth quiet operation.

SAFETY FOR YOUR FAMILY

Safety should be a key consideration when selecting your garage door, as door failures can cause serious injury. The following safety features have been built in to your Flex-A-Door:

- Extension springs enclosed and above head height – well out of the reach of children.
- No moving brackets or door supports which could act as finger or arm entrapments.

SECURITY

The Flex-A-Door includes additional security features for peace of mind, such as:

- Waist height lock for ease of use and added security.
- Pick resistant lock design.
- The locking system is difficult to tamper with, as Flex-A-Door fits behind the opening, so security is improved.

STRENGTH AND DURABILITY

Your Flex-A-Door will continue to operate like new, with features such as:

- Springs designed to exceed the Australian Standard for garage doors – 20,000 cycles.
- The Roll-A-Door steel curtain providing a more rigid, stronger door.

WARRANTY

It's important to have peace of mind when you make a purchase, that's why your Flex-A-Door comes with a:

- 12 month warranty for complete door and parts in domestic / residential and industrial / commercial applications, surface (excludes salt corrosion).



Optional retractable head infill panel for a neat external look



For safety extension springs are well out of the way of children



B&D Remote Opener



Controll-A-Door P Diamond WQ - Whisper Quiet



Flex-A-Door®

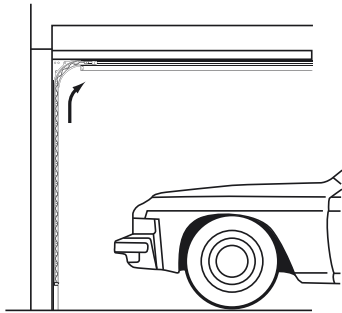
B&D have a range of accessories to increase the functionality of your B&D door or opener. Call us on **13 62 63** or visit www.bnd.com.au for the complete range of B&D products and accessories.

ENJOY THE CONVENIENCE

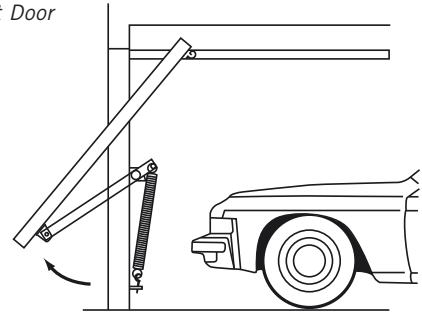
For easier operation of your Flex-A-Door, add a B&D Controll-A-Door automatic garage door opener. Designed to perfectly suit your door, the Controll-A-Door provides:

- Convenience – one push of the remote button and you drive straight into your garage.
- Tri-Tran™ technology – for greater reliability and minimal interference. When you push your transmitter button, you can trust your door will opener.
- Comfort – no more lifting heavy doors.
- Value – adds value to your home.
- Safety – forget getting out of the car on those dark or rainy nights. The courtesy light also allows you to see inside the garage.
- Security – protection for yourself and your property with a positively locked garage door.
- Low standby wattage – saving you money on your power bill, and reducing greenhouse gas emissions.

Flex-A-Door



Traditional tilt Door



INSTALLATION CLEARANCES

PRODUCT	HEIGHTS	HEADROOM WITHOUT RETRACTABLE HEAD INFILL PANEL OPTION		RETRACTABLE HEAD INFILL PANEL OPTION		SIDEROOM	MINIMUM GARAGE DEPTH
		Manual	Opener	Manual	Opener		
R1X	up to 2130mm	180mm	230mm	90mm	120mm	100mm	2950mm
	2131-2790mm	180mm	230mm	90mm	120mm	100mm	3610mm

Available for opening widths from 1200mm to 3100mm.

YOUR **B&D REPRESENTATIVE** IS:

International Customers call **+61 2 9722 5555**
 fax **+61 2 9771 6385** or email bndint@bnd.com.au

B&D Doors has offices servicing all states. For more details on this product or our other ranges, call **13 62 63** or visit www.bnd.com.au

- a) Flex-A-Door doors, in domestic and industrial/commercial applications, are covered by a 12 month warranty, conditional on proper care, as recommended in the door's handbook. Full details of the warranty are available from www.bnd.com.au. 12 month warranty only applies to doors purchased and installed in Australia or New Zealand. Warranty only valid if warranty conditions are met.
- b) For areas within one kilometre of a corrosive environment eg. salt air or industrial fallout, special care and maintenance are generally required for metal products. Consult B&D or your B&D Accredited Dealer for advice.
- c) The company reserves the right to make changes or improvements to the products or accessories without notice and without incurring any obligation to make similar changes or improvements to goods previously ordered. Specifications subject to change without notice.
- d) Prefixed Trademarks are trademarks of B&D Australia Pty Ltd.
- e) B&D products have many patents and registered designs applicable. Patent applied for, Provisional Patent Application No. 2004 90 1986.
- f) *While BlueScope Steel Limited is our preferred supplier, steel products from other sources may also be used.
- g) Details correct at date of publication.



Doors & Openers®

THERE'S SO MUCH MORE BEHIND A B&D DOOR

an **alesco** company